



# DRYTRON FB

POWDER DRYING, GRANULATING, AND COATING MACHINE.

SPECIAL CONSTRUCTION, HIGH EFFECT, NO DEAD ANGLE UNIFORM OUTPUT.

LONG SERVICE LIFE



HIGH PRODUCTION CAPACITY



WIDE RANGE OF APPLICATIONS



# DRYTRON FB

## DESCRIPTION

The machine is a multifunctional granulator integrating various functions. It provides uniform mixing, drying, granulating, coating. It's a one-unit system and thus saves labor cost, transfer loss, and time. It is widely used in such industries as medicine, chemical industry, food, etc.

## SPECIFICATIONS

<b>Material</b>	SS304 and SS316L
<b>Inside Finish</b>	Mirror polished
<b>Outside Finish</b>	Mirror polished
<b>Capacity</b>	5-50Kg (Customized)
<b>Heater type</b>	Electric Heater
<b>Power</b>	5~55KW
<b>Voltage</b>	110V ~ 480V

### Features

1. Continuous mesh cleaning
2. Automatic tank lifting
3. Movable tray for mixing tank
4. High efficient air diffusing blades
5. Double flow spray nozzle
6. Vision glass for spray nozzle
7. Vision glass for mesh filter
8. Vision glass for mixing chamber
9. Adjustable pump flow rate
10. Adjustable air temperature
11. Hot air temperature sensor
12. Outlet air temperature sensor
13. Touch control screen
14. Manual and automatic control

### Application

Chemicals, pharmaceuticals, nutraceuticals, cosmetics, food, and more.



Stainless Steel



Dust Control  
System



Long Service Life



High Precision  
Pump



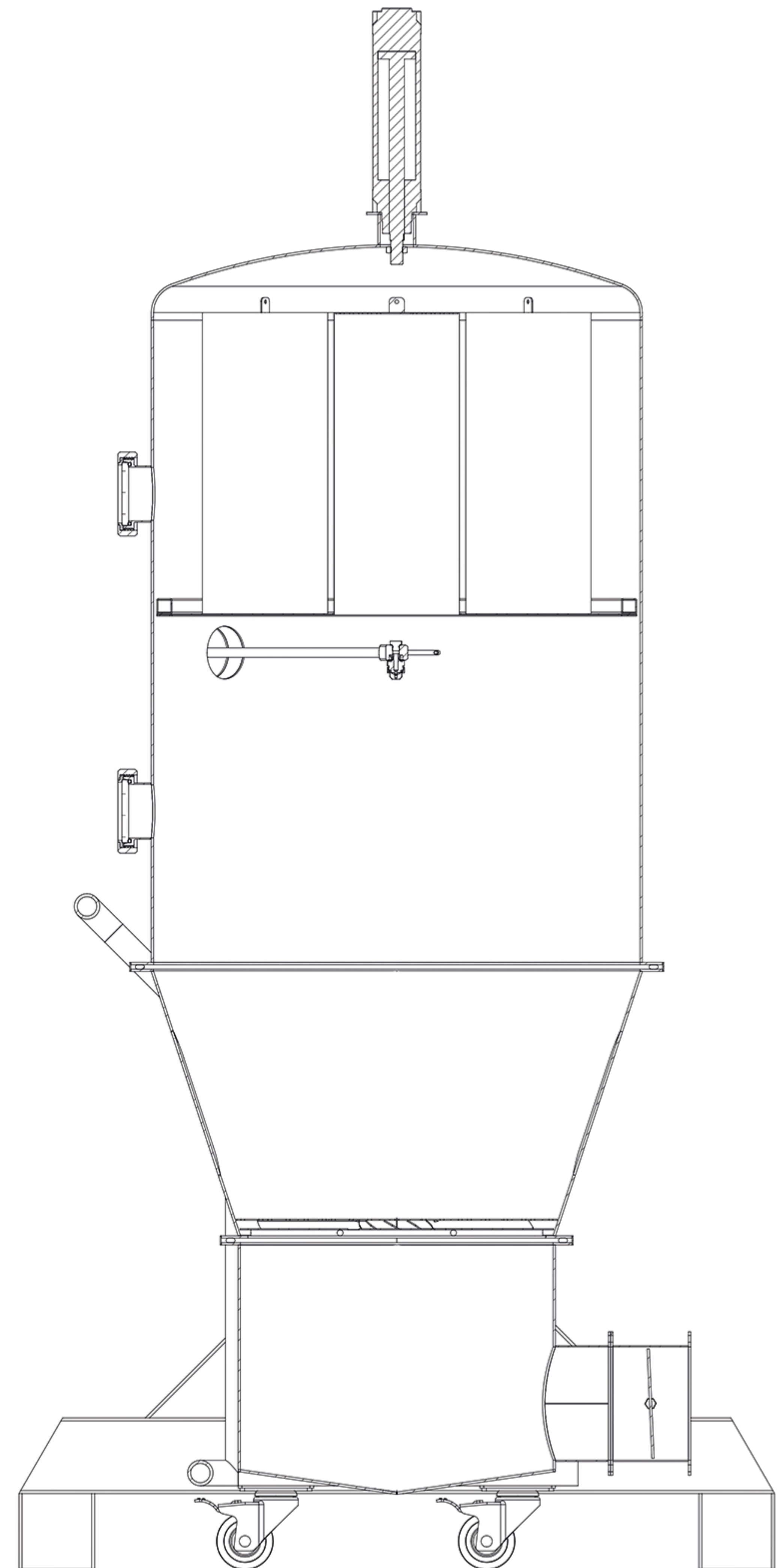
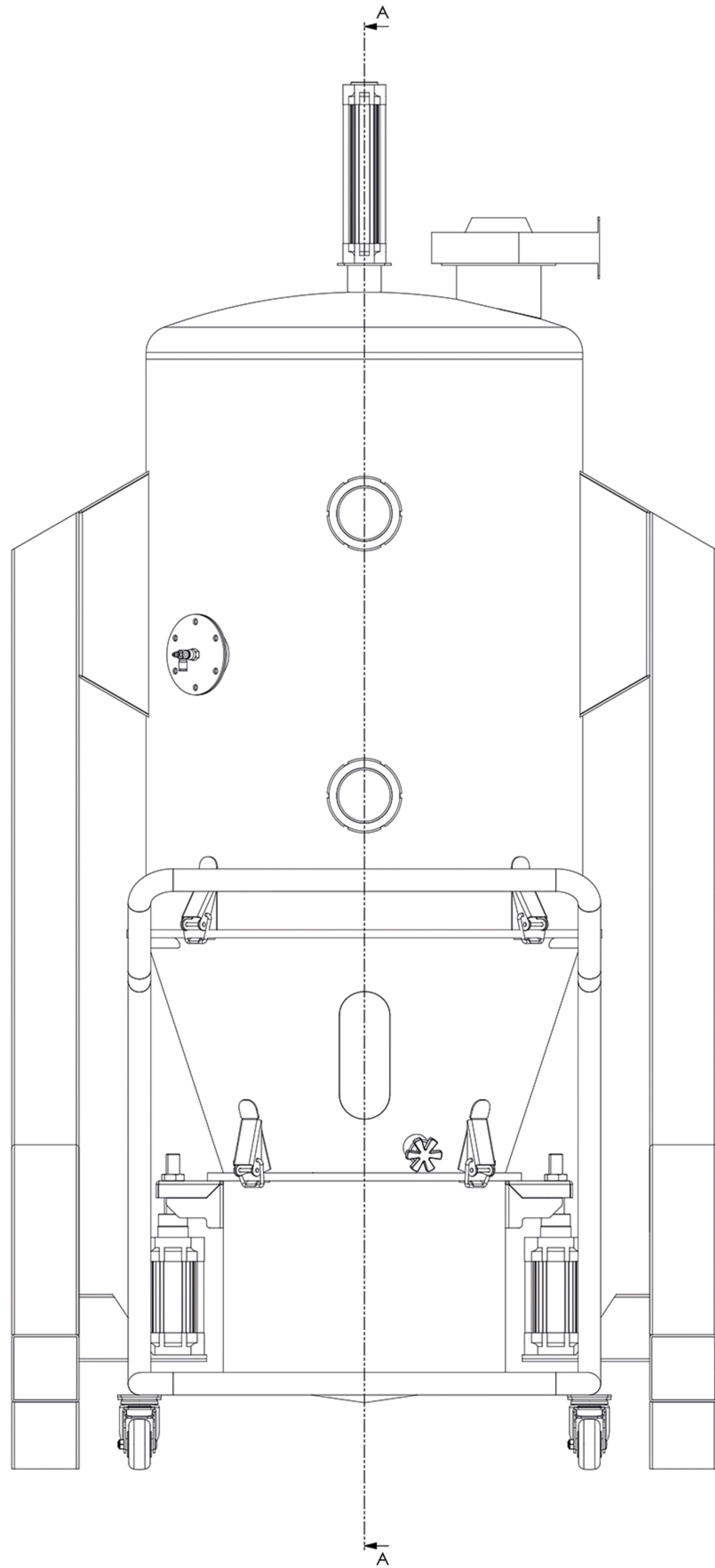
Request For  
Order



Wide Range  
Of Applications

# DRYTRON FB

## COMPONENTS



SECTION A-A

Part number	Part Name
1	Main body
2	Material tank
3	Tank tray with wheels
4	HMI touch screen
5	Electric Heater
6	Main air Blower
7	Exhaust blower
8	Air filter
9	Material filter

Part number	Part Name
10	Dosing pump
11	Liquid spray nozzle
12	Tank fixing clamps
13	Tank lifting pistons
14	Filter shaker piston
15	Sample picker
16	Vision glasses
17	Inspection lamp



 **HEAD OFFICE**  
Forskningsparken, Raveien  
205, 3184 Borre, Norway

 **MENA REGIONAL OFFICE**  
28H/ 1 Shokry Abd-El-halim, New Maadi,  
Cairo, Egypt.  
 01069529529  
 info@app.com

Follow us on  
